



magnum **Blue Lightning**

The **magnum Blue Lightning** is the new generation high speed, automatic hand dryer that will dry your hands in approximately 10 seconds. Using only 900 watts of power, makes it one of the most economic hand dryers around.

Available in white or bright chrome, the **magnum Blue Lightning** is perfect for high usage areas or where the client requires amazingly quick drying times.

The heater can be switched off by removing the front cover.

The following features are incorporated in the **magnum Blue Lightning** Hand dryer:

Fast drying time

Low power consumption

Vandal resistant cast aluminium front cover.

White or chrome plated finish.

Easy and quick to install.

Comes complete with wall fixing screws.

Bright blue LED's that illuminate on your hands when the dryer is being operated.

Part of a range that incorporates a soap dispenser and air fragrance machines.

2 year guarantee Terms and conditions apply

Order Codes

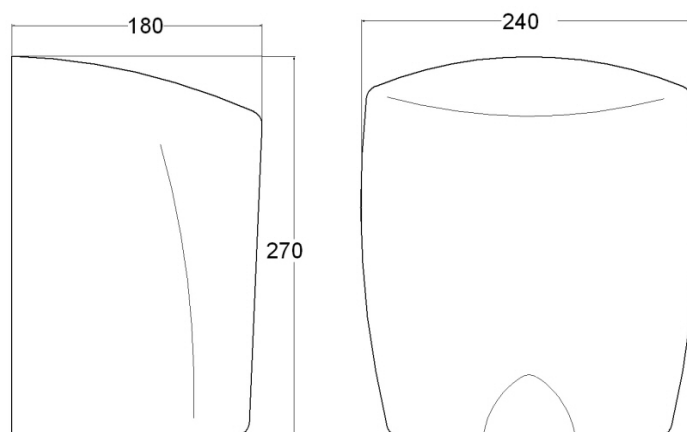
HBL1XW	<i>magnum Blue Lightning</i> with a white powder coated front.
HBL1XC	<i>magnum Blue Lightning</i> with a chrome plated finish.

Specification

Operating Voltage	220 / 240v 50Hz (650 or 900 watts - heater on/off)
Air Speed	64m/s (140m ³ /h)
Motor Type	650w 23,000 rpm brush type. Dual bearings
Heater Element	250w Thermal Protection
Rated Power	900 watts with heater
Drying time	10 seconds approx
Circuit Operation	Infra-red automatic - Self adjusting
Timing Protection	60 second auto shut off
Drip Proof	IP22
Isolation	Class 1
Net Weight	4.5 Kg
Unit Size	240 w x 270 h x 180 d (mm)
Finish	Painted white or Chrome plated
Cover	Die-cast aluminium
Decibel Rating	84dba @1 meter.
Approvals	CE, WEEE, Greenspec

Packing Details

Width	30 cm
Height	21 cm
Depth	28 cm
Weight	5 kg



The manufacturer reserve the right to change specifications without prior notice.