



washroom

**Geltronic**

- 1/ Mains operated for the larger area.
- 2/ Either 24 hour running or on / off adjustable timer settings.
- 3/ Easily replaced solid gel
- 4/ Available in Grained stainless steel, polished stainless steel or powder coated white.
- 5/ Gel life 4 - 6 weeks approx (if totally exposed to the air)

**Order Codes**

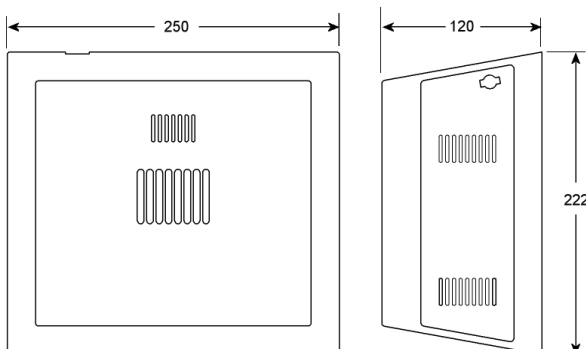
<b>CAIR4W</b>	Continuous running with a white front cover
<b>CAIR4S</b>	Continuous running with a brushed stainless steel front cover
<b>CAIR4P</b>	Continuous running with a polished stainless steel front cover
<b>CAIR6W</b>	Timed running with a white front cover
<b>CAIR6S</b>	Timed running with a brushed stainless steel front cover
<b>CAIR6P</b>	Timed running with a polished stainless steel front cover

**Specification**

	Continuous Running Geltronics	Timed Running Geltronics
Approx. Coverage	60 sq metres	
Power	230v ac 50Hz	
Width	250mm	
Height	222mm	
Depth	120mm	
Outer Case	Epoxy powder coated white, brushed 304 stainless or polished 304 stainless	
Timings	n/a	Adjustable switches 1,2 or 5 mins on and 5 minutes off 1, 2, 5 minutes on and 10 minutes off

**Packing Details**

Width	26cm
Height	23cm
Depth	13cm
Weight	3Kg



**BUILT IN  
BRITAIN**

The manufacturer reserve the right to change specifications without prior notice